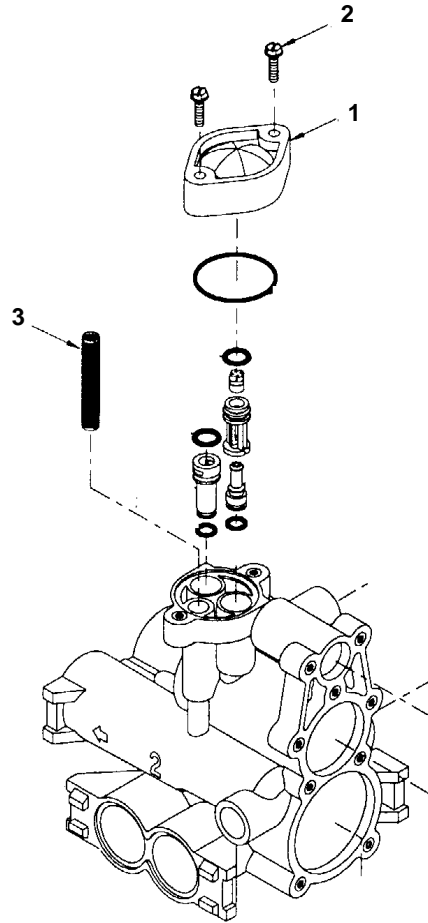


MODEL TwinFlo100e

Control Valve Assembly



PARTS LIST

Item No.	Quantity	Part No.	Description
1	1	18774Cover
2	2	17063Screws
3	1	18810Screen

MODEL TwinFlo100e Use & Care Guide

Installation Data - Please fill out for future reference

General Data:

Installation Date _____
 Installer's Name _____
 Equipment Model _____
 Water Hardness _____ US gr/gallon _____ mg/l(g/m3) _____ meq/l
 Water Pressure _____ Water Temperature _____
 Salt Dosage _____ lbs of NaCl/ft3 _____ g of NaCl/liter
 Type of Media _____
 Resin Volume _____ ft3 _____ liters _____ m3
 System Capacity _____ US gr/Regen. _____ meq/Regen. _____ g/Regen.
 Regeneration: _____ Downflow (Co-current) _____ Upflow (Counter-current)

Flow Controllers:

Brining System 1610
 Injector # _____
 Drain Line Flow Control (DLFC) _____ gpm
 Brine Line Flow Control (BLFC) _____ gpm

Controller Program:

Display Format US/gallons (U-1) metric/ liters (U-2) metric/m³ (U-4)
 Regeneration Type: (7-2)
 Treated Water Capacity _____ gallons _____ liters _____ m3
 Regeneration Time _____
 Regeneration Day (Override) _____

Downflow

(1) Pre-Rinse _____ minutes
 (2) Backwash _____ minutes
 (3) Brining/Slow rinse _____ minutes
 (4) BrineTank Refill _____
 (5) Off

Upflow

Pre-Rinse _____
 Brining/Slow Rinse _____
 Backwash _____
 Refill _____
 Off

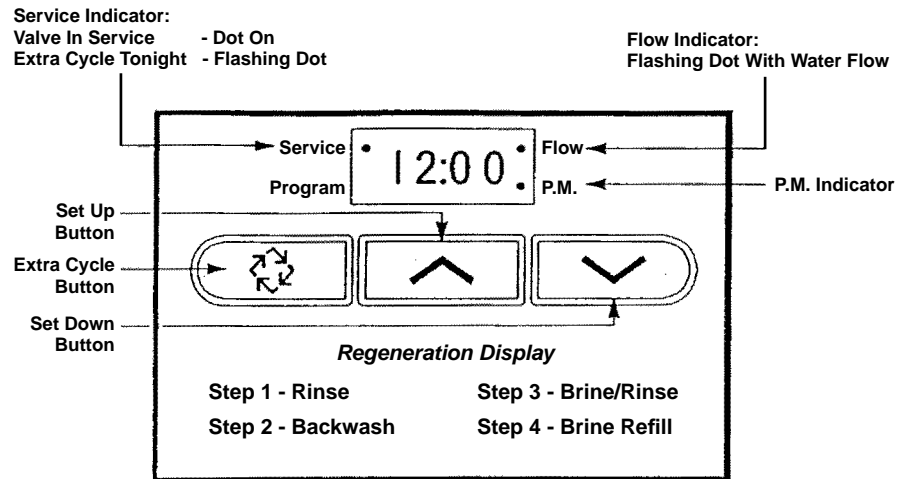
Flow Meter Size (F132) (F34.9)

Valve Type: (O-2)

Line Frequency (Hertz) (LF60) (LF50)

MODEL TwinFlo100e

Time of Day/Manual Start of Regeneration



Your TwinFlo100e has been programmed for your system. If required to change the program, contact your equipment supplier for assistance.

To access the valve controller, remove the cover from your softener by turning the screw on the back and lift the cover up.

If the electricity fails, the electronic controller will keep in memory the pre set program. Use the up and down arrows to set the correct time of day.

If you need to manually initiate a regeneration, push and hold the "extra cycle button" for five seconds. The unit will then proceed to regenerate automatically.

OPERATING TIPS

- Keep the bypass closed at all times. Open the bypass to service the TwinFlo100e valve and to allow hard water to service.
- Keep the salt level at all times above the water in the brine tank.

MODEL TwinFlo100e

Troubleshooting

SYMPTOM	CAUSE	CORRECTION
1. Hard water to service.	<p>A. Softener failed to regenerate.</p> <p>B. Defective timer</p> <p>C. Open bypass.</p> <p>D. Low salt level in brine tank.</p> <p>E. Injector screen plugged.</p>	<p>A. Electrical service interrupted, assure permanent electrical service.</p> <p>B. Call equipment supplier for replacement.</p> <p>C. Close bypass valve.</p> <p>D. Keep salt level above water at all time.</p> <p>E. See attached valve assembly. Remove the 2 screws (2), lift cover (1), pull screen (3) out to clean. Reinstall. Call your equipment supplier if problem persists.</p>
2. Salty water to service.	<p>A. Injector screen plugged.</p>	<p>A. See attached valve assembly. Remove the 2 screws (2), lift cover (1), pull screen (3) out to clean. Reinstall. Call your equipment supplier if problem persists.</p>
3. Valve leaking to drain at service.	<p>A. Internal valve leak.</p>	<p>A. Call your equipment supplier for assistance.</p>